



AIR PUMP

Resun was the first Chinese company to manufacture aquarium air pumps, and has been producing aquarium and water garden air pumps for 20 years.

By manufacturing an utmost complete range of air pump products under a strict QC/QE system, we have become one of the most reliable OEM and ODM suppliers for our international customers.

VDE, GS, UL and CE approved for various models.

BREATH AIR PUMP



FEATURES

- Super silent
The unique design of the inner structure and the support feet significantly lower the noise
- Long life
The diaphragm made of EPDM is durable and can last long

Low Noise



BA100



BA400

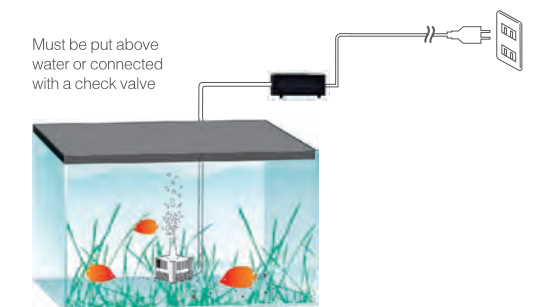


BA800

MODEL PARAMETERS



Special design significantly reduces noise



MODEL	VOLTAGE	FREQUENCY	POWER	AIR OUTPUT	PRESSURE
BA100	100~240V	50 / 60Hz	1.3W	60L / H	≥0.01Mpa
BA400	100~240V	50 / 60Hz	2.4W	80L / Hx2	≥0.01Mpa
BA800	100~240V	50 / 60Hz	4.6W	80L / Hx4	≥0.01Mpa

SURPASS AIR PUMP



FEATURES

- Car shape design in silver gray color
- Energy-efficient motor
- Quiet operation
- Adjustable air flow for the larger models
- Suitable for aquarium and small pond



PRODUCT DETAILS

PUMP KITS AND ACCESSORIES
OPTIONAL AND SOLD SEPARATELY



MODEL	VOLTAGE	FREQUENCY	POWER	AIR FLOW	PRESSURE	AIR FLOW ADJUSTER
AIR500	100~120V 220~240V	60Hz 50Hz	1.8W 1.75W	30 L/H 8GPH	≥0.01Mpa	NO
AIR1000	100~120V 220~240V	60Hz 50Hz	2W 1.5W	60 L/H 16GPH	≥0.01Mpa	NO
AIR2000	100~120V 220~240V	60Hz 50Hz	3W 2.8W	140 L/H 37GPH	≥0.012Mpa	NO
AIR3000	100~120V 220~240V	60Hz 50Hz	3.5W 3.5W	180x2 L/H 47x2GPH	≥0.014Mpa	NO
AIR4000	100~120V 220~240V	60Hz 50Hz	4W 3.5W	180x2 L/H 47x2GPH	≥0.014Mpa	YES
AIR8000	100~120V 220~240V	60Hz 50Hz	8W 7W	180x4 L/H 47x4GPH	≥0.016Mpa	YES

AIR PUMP

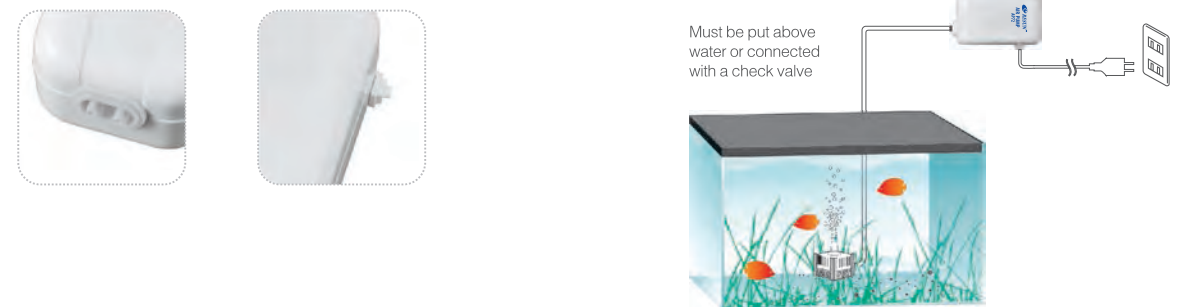


FEATURES

- Innovative noise absorbing design to make it super quiet
- Specially designed feet to reduce vibration significantly
- Stable and powerful air output



MODEL PARAMETERS



MODEL	VOLTAGE	FREQUENCY	POWER	AIR OUTPUT	PRESSURE
AP72	100~240V	50 / 60Hz	2 W	1.2 L / Min	>0.010Mpa
AP108	100~240V	50 / 60Hz	2.5 W	1.8 L / Min	>0.012Mpa
AP180	100~240V	50 / 60Hz	3 W	3.0 L / Min	>0.014Mpa
AP216	100~240V	50 / 60Hz	3 W	3.6 L / Min	>0.014Mpa

SUPER MINI AIR PUMP



FEATURES

- Super Quiet.
- Extremely small size.
- Light in weight.
- Easy mounting.
- Low power consumption.



QS70

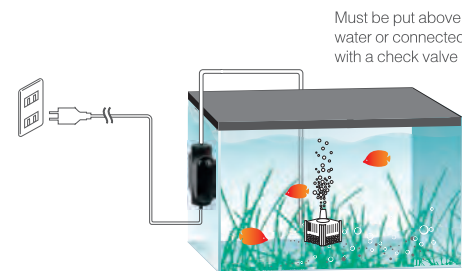
PRODUCT DETAILS



Easy mounting with bottom suction cup



Air outlet



MODEL	VOLTAGE	FREQUENCY	POWER	AIR OUTPUT	PRESSURE
QS70	230V	50Hz	1.5 W	0.7 L / Min	0.010Mpa

PORTABLE DUAL MODE AIR PUMP



FEATURES

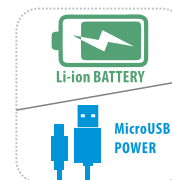
- Portable with dual mode power supply—MicroUSB power supply or lithium battery. Power supply switches automatically from MicroUSB supply to lithium battery when there is a power cut.
- Unique denoising design. Super quiet.
- Stepless pressure / flow adjustor to meet different demands.
- Work / charge indicator for easy monitoring the status.
- Great for aquarium or fishing use.



ACD1100

ACD2200

PRODUCT DETAILS



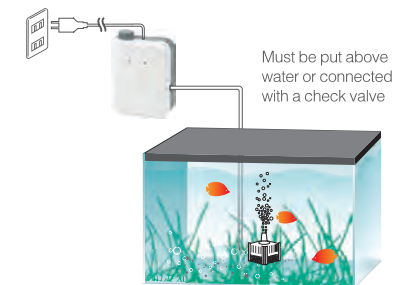
Dual Mode power supply



Air flow adjuster

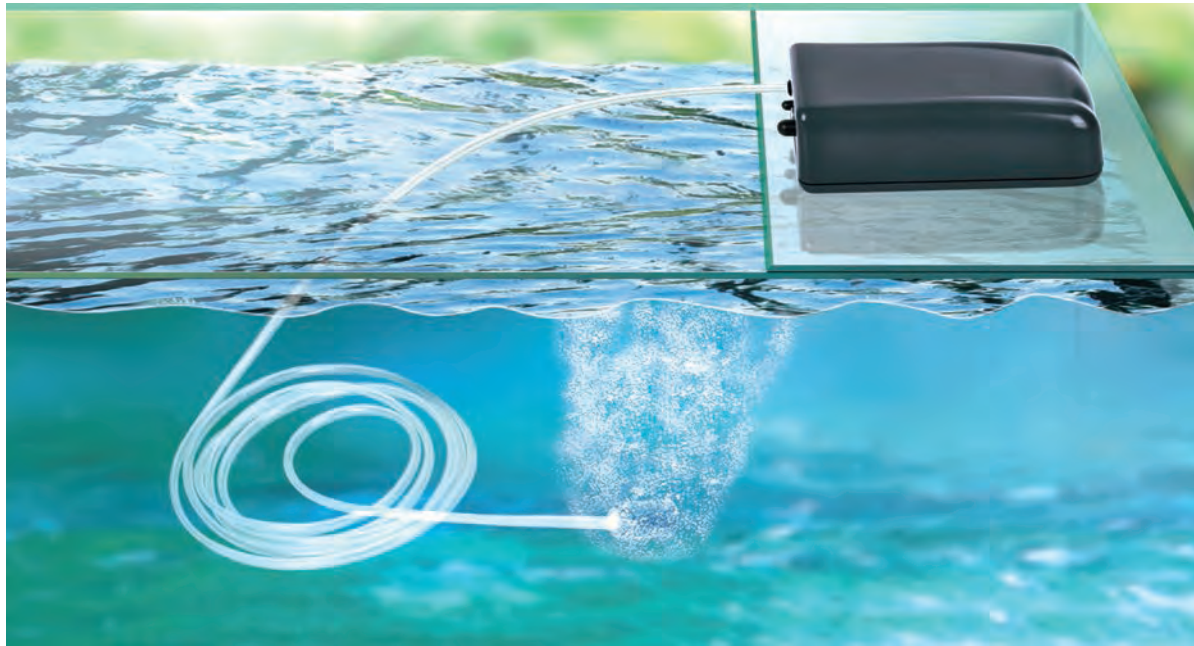


Air outlet



MODEL	VOLTAGE FREQUENCY	CHARGE	DISCHARGE	POWER	AIR OUTPUT	PRESSURE	NOISE
ACD1100	DC 5V	4H	8H	1.7 W	1.0 L / Min	≥0.010Mpa	≤40dB
ACD2200	DC 5V	8H	8H	3.0 W	1.8 L / Min x 2	≥0.012Mpa	≤45dB

PORTABLE BATTERY AIR PUMP



FEATURES

- Runs with battery, easy to use
- A good backup during power outage
- Portable, great for fishing



DC120

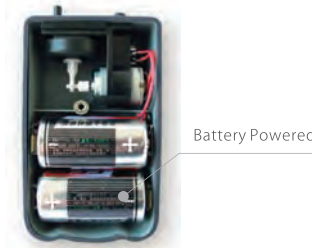


DC160

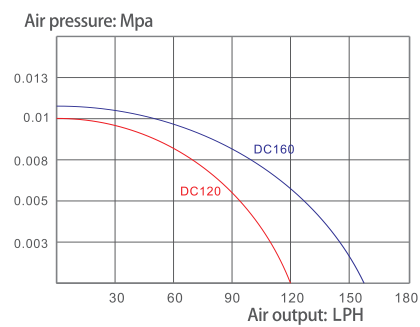
PRODUCT DETAILS



Battery Powered



Battery Powered



MODEL	VOLT. FREQ.	POWER	BATTERY	AIR FLOW PER OUTLET	AIR OUTLETS	RECOMMENDED AQUARIUM SIZE	DIMENSION
DC120	DC3V	/	1#x2PCS	120 L/H 30GPH	1	Up to 80L Up to 20Gal	149x85x50mm
DC160	DC3V	/	1#x2PCS	160 L/H 40GPH	1	Up to 120L Up to 30Gal	143x75x50mm

LOW NOISE AIR PUMP



FEATURES

- Impact-resistant rubber diaphragm and valve
- Unique structure with good heat dissipation and low noise
- High air output
- Plastic air dividers included, and metal dividers available upon request
- Widely used in fish farms, ponds and aquariums

Low Noise

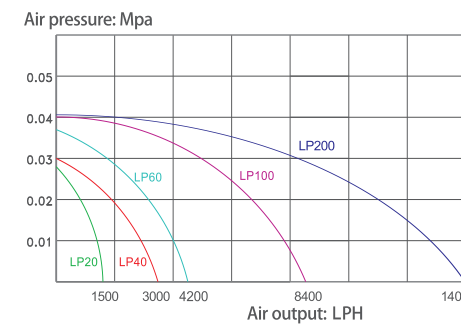


LP20



LP40

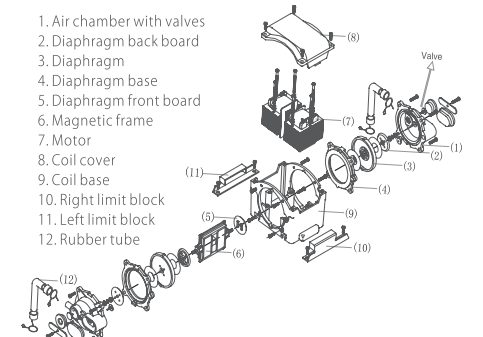
MODEL PARAMETERS



LP20
Plastic case
Product accessories



LP40
Plastic case
Product accessories



MODEL	VOLT. FREQ.	POWER	AIR FLOW	PRESSURE	AIRSTONE'S MAX DEPTH IN WATER	AIR DIVIDER OUTLETS	DIMENSION
LP20	100~120V / 220~240V 50/60Hz	17W	1500 L/H 400GPH	0.028Mpa	2.2m	6	215x145x170mm
LP40	100~120V / 220~240V 50/60Hz	35W	3000 L/H 800GPH	0.030Mpa	2.8m	12	258x174x190mm

LP LOW NOISE AIR PUMP



FEATURES

- Impact-resistant rubber diaphragm and valve
- Unique structure with good heat dissipation and low noise
- High air output
- Plastic air dividers included, and metal dividers available upon request
- Widely used in fish farms, ponds and aquariums

Low Noise



LP60
Aluminum case



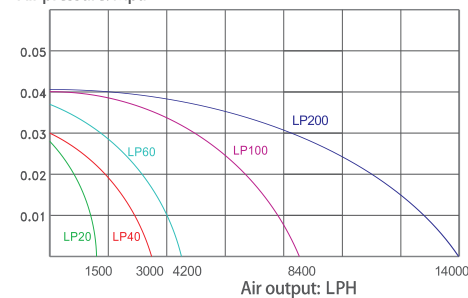
LP100
Aluminum case



LP200
Aluminum case

PRODUCT DETAILS

Air pressure: Mpa



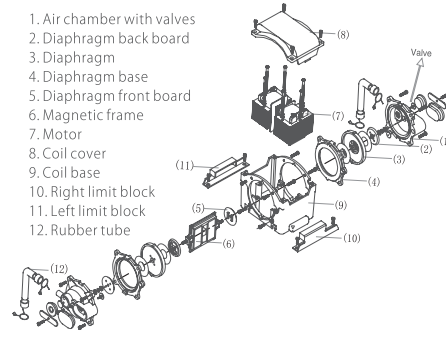
LP60
Product accessories



LP100
Product accessories



LP200
Product accessories



MODEL	VOLT. FREQ.	POWER	AIR FLOW	PRESSURE	AIR STONE'S MAX DEPTH IN WATER	AIR DIVIDER OUTLETS	DIMENSION
LP60	100~120V / 220~240V 50/60Hz	50W	4200 L/H 1110GPH	0.037Mpa	3.5m	14	262x202x213 mm
LP100	100~120V / 220~240V 50/60Hz	100W	8400 L/H 2220GPH	0.042Mpa	4.0m	33	293x200x227mm
LP200	100~120V / 220~240V 50/60Hz	200/230W	15000/14000 L/H 3960/3700GPH	0.045/0.05Mpa	4.0m	33	285 x202x237mm



HEATER

Equipped with dust-free, constant temperature and humidity workshop, specialized production lines and complete sets of testing facility, Resun designs and has supplied aquarium heaters for over 10 years.

Resun has been well recognized as a professional manufacturer for heater, with products of high quality and reliability.